

SNORKEL
UL25/UL32/UL40
PUSH AROUND MAST LIFTS



- Robust push-around mast lifts
- Patented Girder Lock mast design for stable working up to 14.1m
- Compact dimensions
- Passes through a standard doorway
- Easy loader system for flatbed vehicle transport

SNORKEL

UL25/UL32/UL40

PUSH AROUND MAST LIFTS



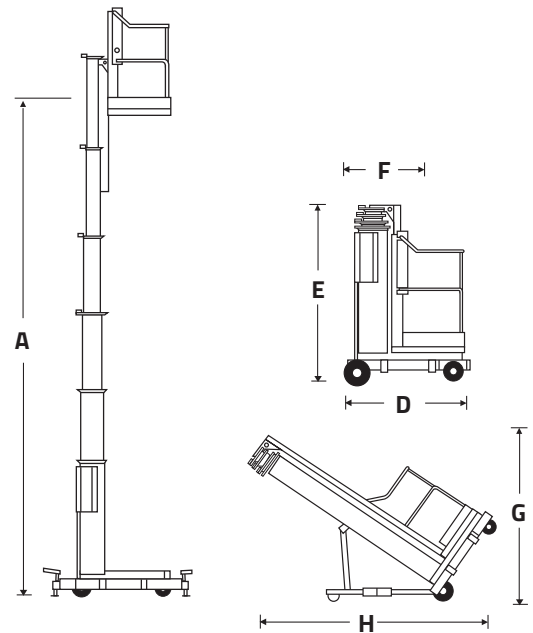
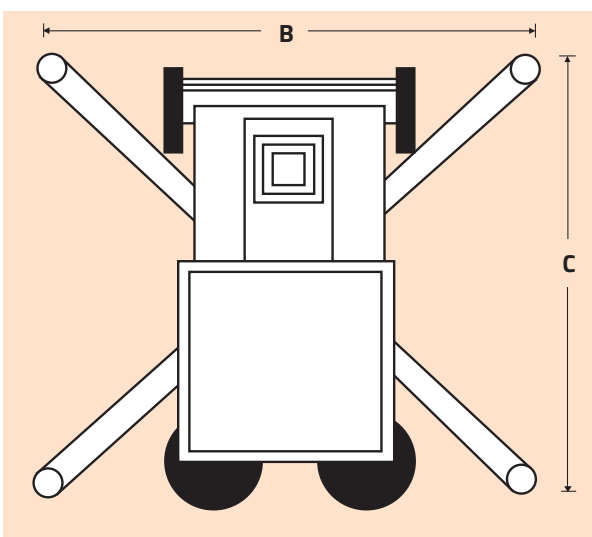
| DIMENSIONS | UL25 | UL32 | UL40 |
|-----------------------------|---------------|---------------|---------------|
| Max. working height | 9.6m | 11.7m | 14.1m |
| Max. platform height (A) | 7.6m | 9.7m | 12.1m |
| Platform length | 0.56m | 0.56m | 0.56m |
| Platform width | 0.66m | 0.66m | 0.66m |
| Outrigger footprint (B x C) | 2.06m x 1.99m | 2.06m x 1.99m | 2.95m x 2.85m |
| Overall width (F) | 0.74m | 0.74m | 0.74m |
| Overall length (D) | 1.26m | 1.32m | 1.32m |
| Stowed height (E) | 1.99m | 2.51m | 2.9m |
| Tilt back height (G) | 1.95m | 1.95m | 2.0m |
| Tilt back length (H) | 2.6m | 2.64m | 2.99m |

| PERFORMANCE | | | |
|---|--|-----------|-----------|
| Platform capacity (SWL) | 159kg | 136kg | 136kg |
| Max. wind speed | 0m/s | 0m/s | 0m/s |
| Raise/lower time | 43/23 sec | 57/26 sec | 60/40 sec |
| Wheels | 250mm x 64mm rear, 150mm casters front | | |
| Controls | push button | | |
| Wall access (Distance from platform front to wall) | 356mm | 356mm | 736mm |

| POWER | |
|-------------------|-----------------------|
| Power source (AC) | 120/220V AC 50HZ |
| Power source (DC) | 1 X 12V 105Ah battery |

| WEIGHT | | | |
|-------------|-------|-------|-------|
| Weight (AC) | 390kg | 435kg | 470kg |
| Weight (DC) | 420kg | 465kg | 500kg |

OUTRIGGER FOOTPRINT



STANDARD FEATURES

- Patented Girder Lock telescopic mast system
- Integrated tilt-back system
- Ground level entry
- EZ loader system for transport
- Outrigger interlock indicators
- Integrated battery charger (DC only)
- Non-marking wheels and casters
- 2 year parts & labour, 5 year structural warranty
- CE approved

OPTIONS

- Special paint colours
- Tool tray
- Environmental hydraulic oil

CE Specification Specifications subject to change without notice. Photos and diagrams in this brochure are for promotional purposes only. © Snorkel 2020 only. Refer to appropriate Snorkel operators manual for detailed instructions on the proper use and maintenance.